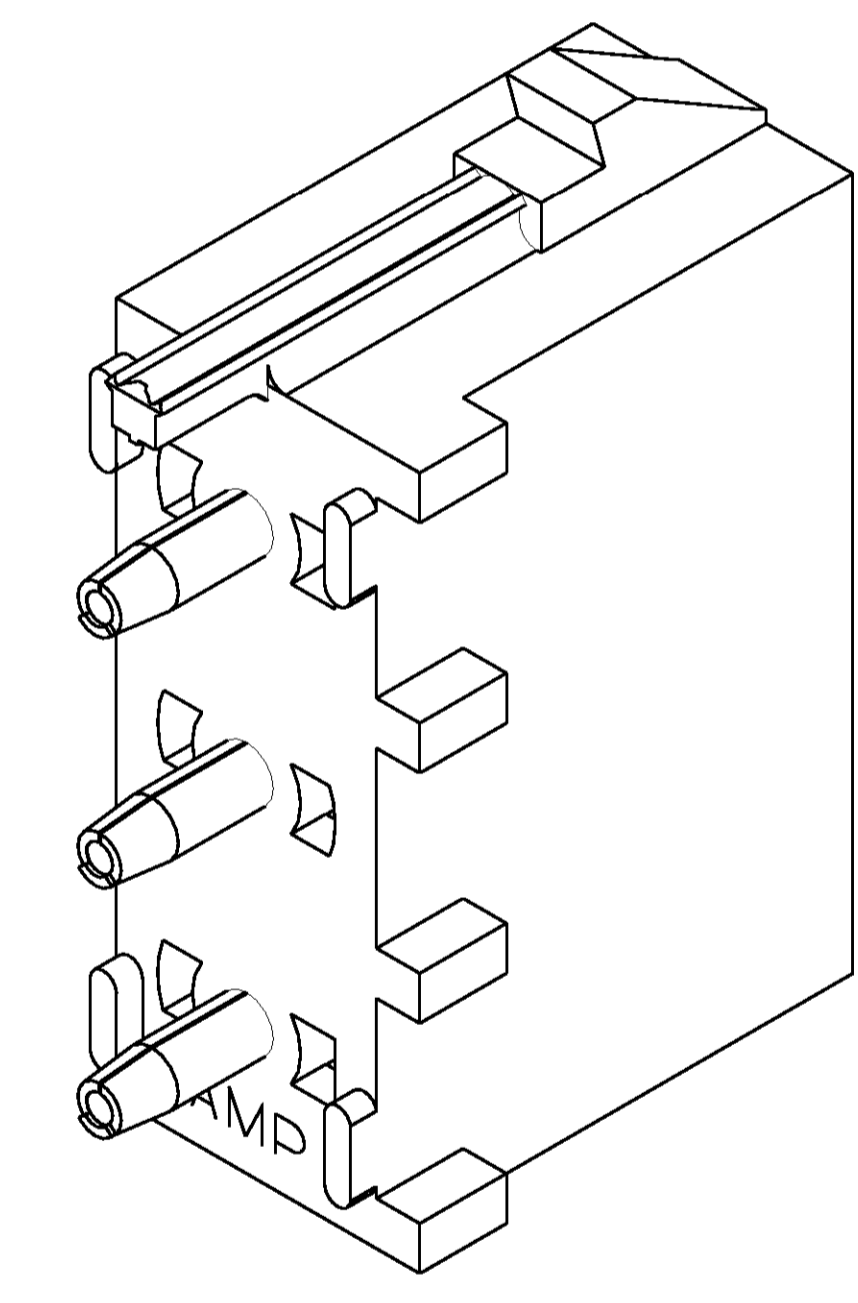
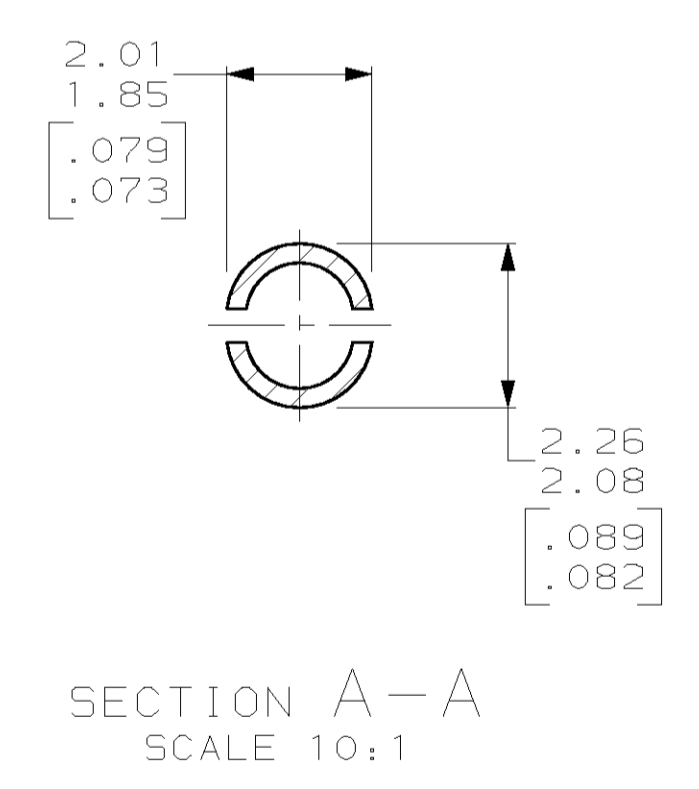
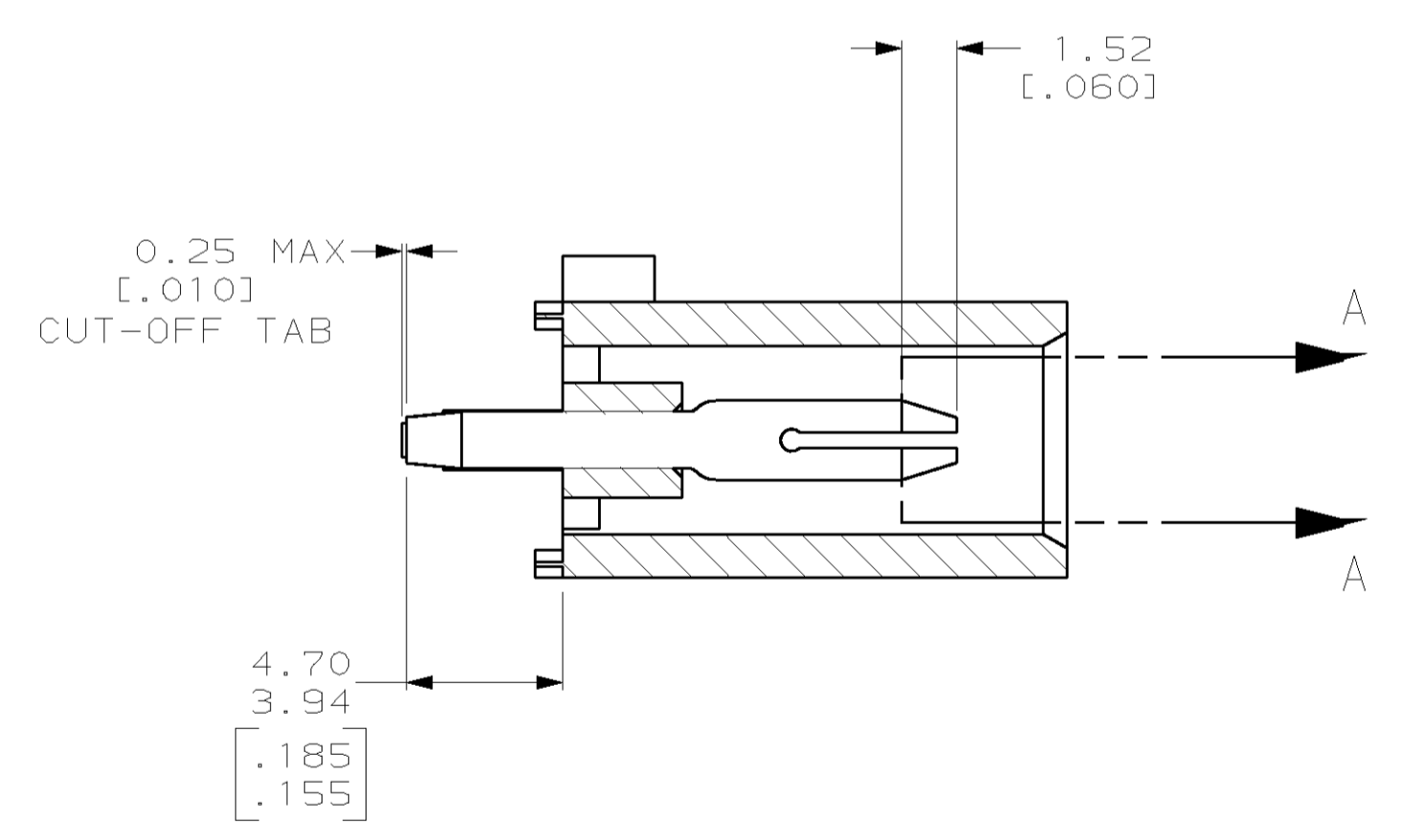
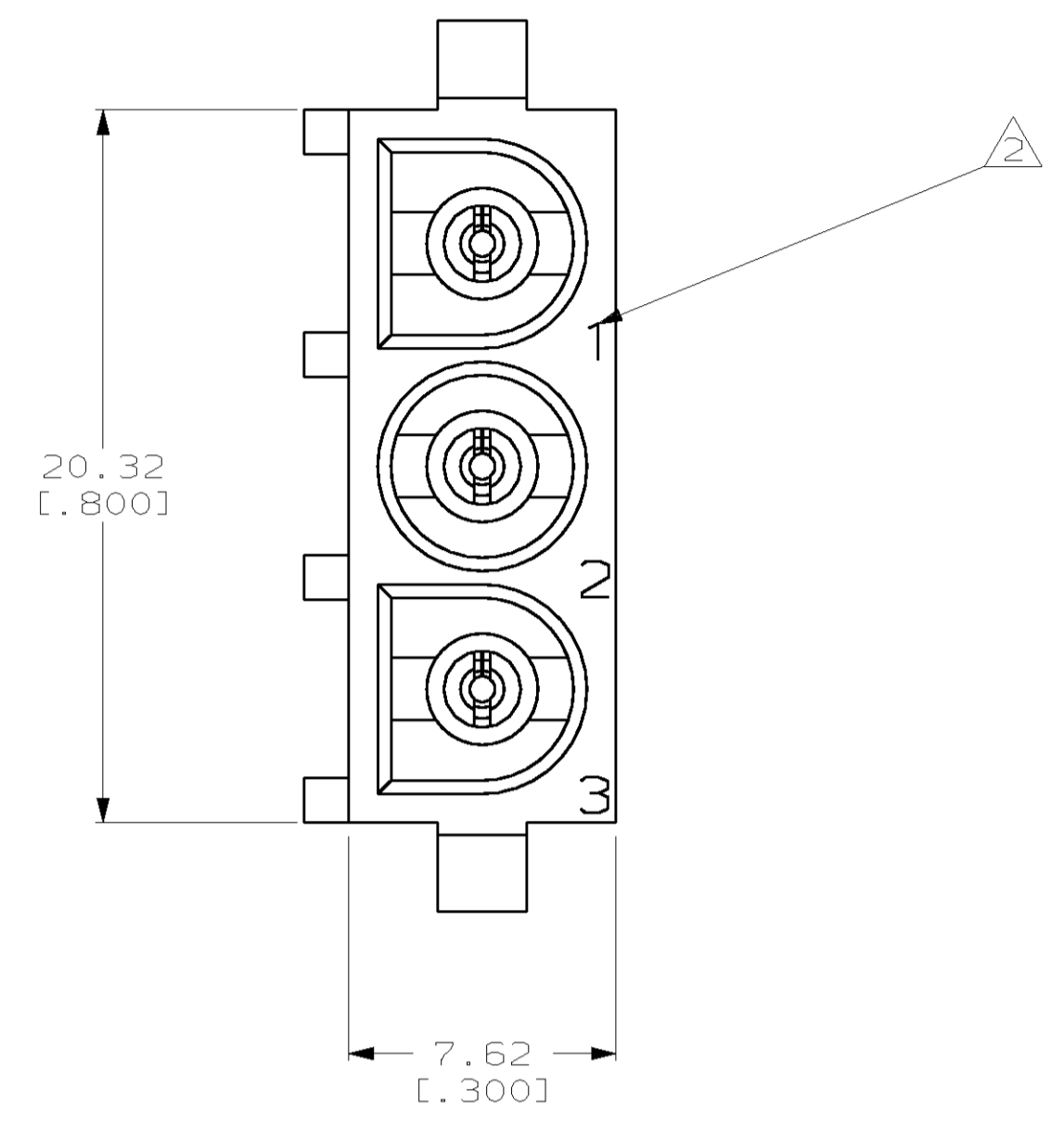
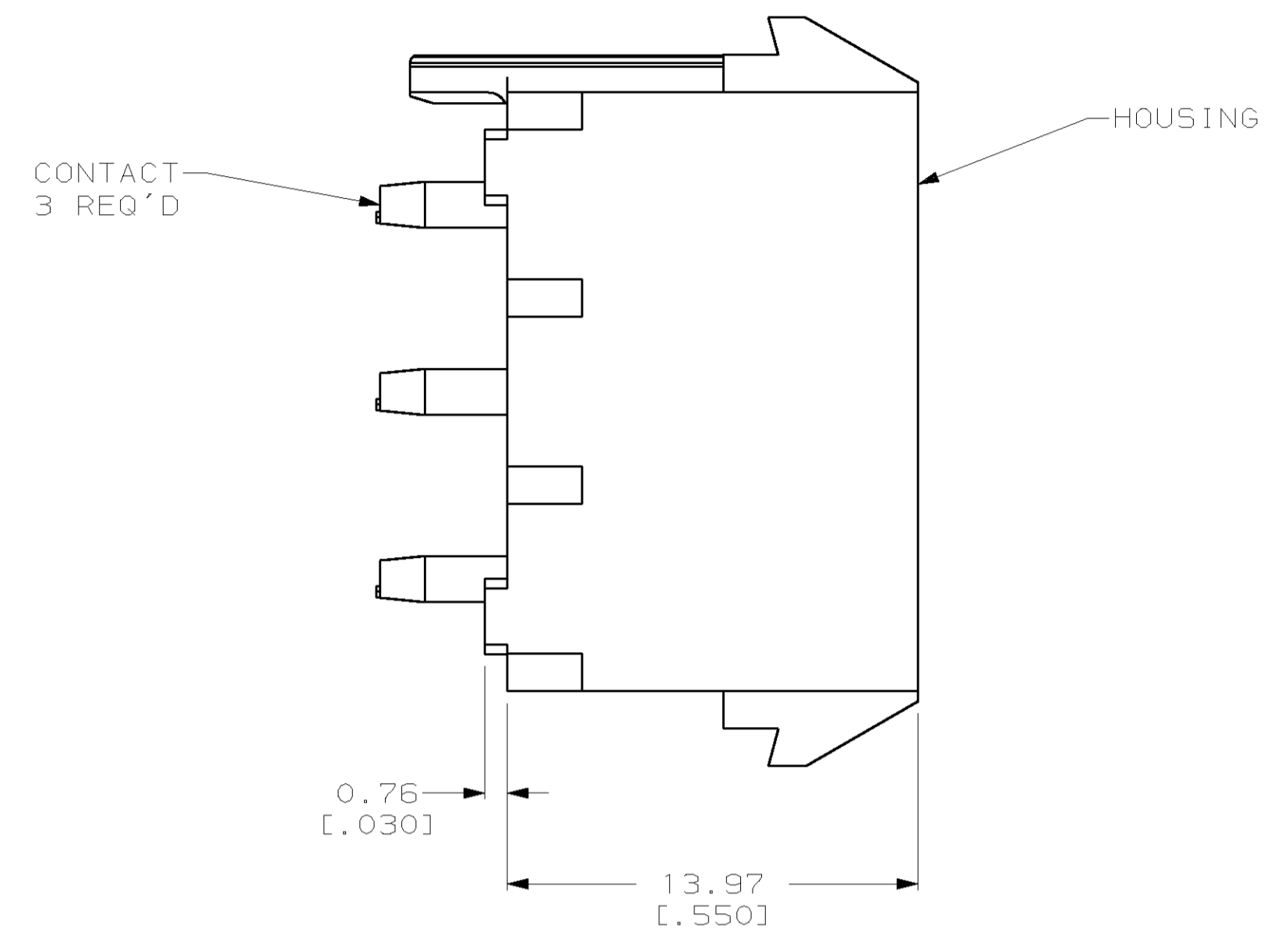
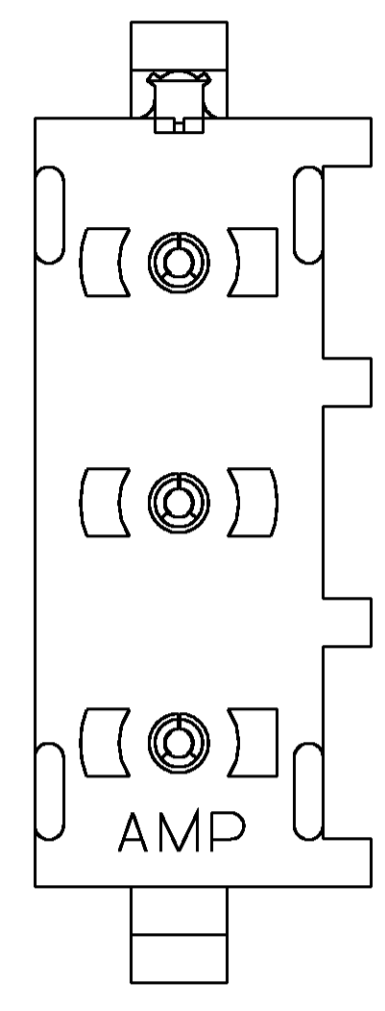
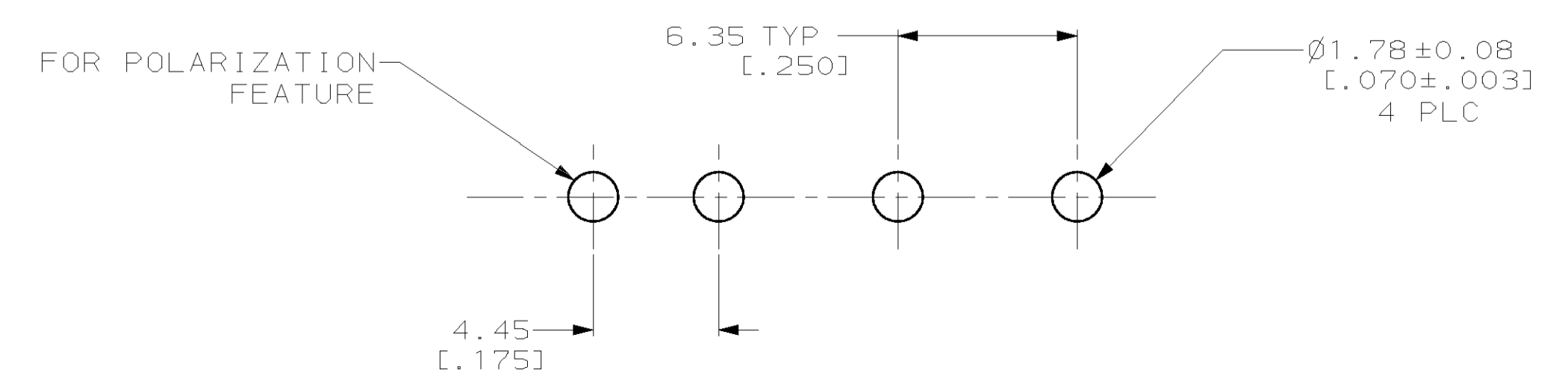


LOC	DIST	REVISIONS			
F	CHR	DESCRIPTION	DATE	OWN	APVD
P		REV & REDWN PER EC 0638-0222-99	07-JAN-00	LM	KC

- PARTS COMPLY TO AMP SOLDERABILITY SPECIFICATION 109-11-3.
- CIRCUIT IDENTIFICATION CHARACTERS ARE ADJACENT TO THE INDICATED CAVITIES, BUT LOCATION AND ORIENTATION MAY DIFFER FROM PRINT.
- DIMENSIONS IN BRACKETS ARE IN INCHES.



3-DIMENSIONAL MODEL  
NTS



RECOMMENDED MOUNTING HOLE PATTERN  
FOR 1.57 [.052] THICK P.C. BOARD

PHOSPHOR BRONZE, PRE-TIN	NYLON, UL94V-0, BLACK	1-641966-1
PHOSPHOR BRONZE, PRE-TIN	NYLON, UL94V-0, WHITE	641966-1
PIN CONTACT MATERIAL AND FINISH	HOUSING MATERIAL	PART NO

THIS DRAWING IS A CONTROLLED DOCUMENT.		DWN L. McEACHIN 07-JAN-2000	AMP AMP Incorporated Harrisburg, PA 17105-3608
DIMENSIONS: mm (INCHES)		CHK K. COBLE 07-JUN-2000	
TOLERANCES UNLESS OTHERWISE SPECIFIED:		APVD K. COBLE 07-JUN-2000	NAME PIN HEADER ASSEMBLY, POLARIZED, 3 CIRCUIT, UNIVERSAL MATE-N-LOK™
0 PLC ±		PRODUCT SPEC	
1 PLC ±		APPLICATION SPEC	SIZE A1
2 PLC ±0.13 [.005]		WEIGHT	CAGE CODE 00779
3 PLC ±		CUSTOMER DRAWING	DRAWING NO 641966
4 PLC ±		SCALE 5:1	SHEET 1 OF 1
ANGLES 40°-90°			REV P

